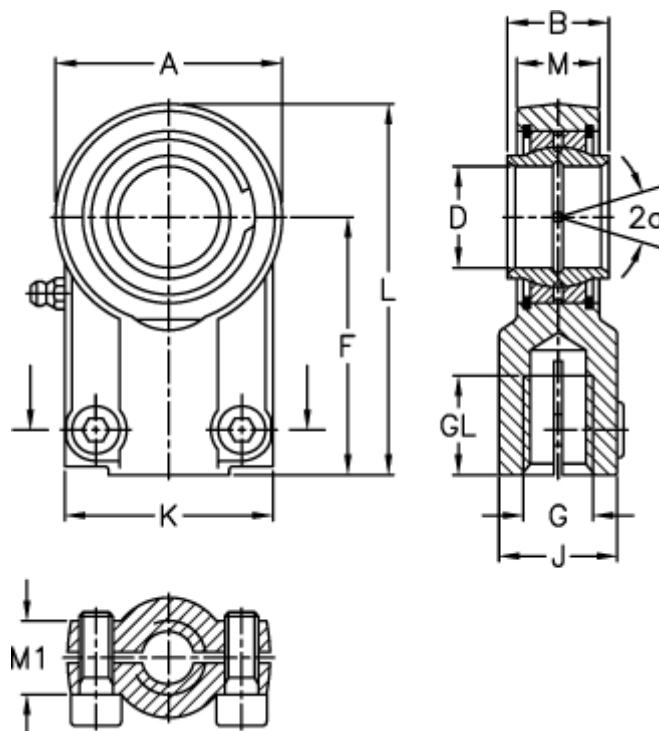


Article number: 03551012

Description: Fluro hydraulic rod end FPR 12CE

Measures



A	= 32	J	= 16
a (degrees)	= 4	K	= 32
B	= 12	L	= 54
D	= 12	M	= 11
Dynamic load C (kN)	= 10.8	M1	= 15
F	= 38	Static load C0 (kN)	= 24.5
g	= M12x1,25	Torque (N m)	= 6
GL	= 17	Weight	= 100